



Duo+ How It Works

Flexible

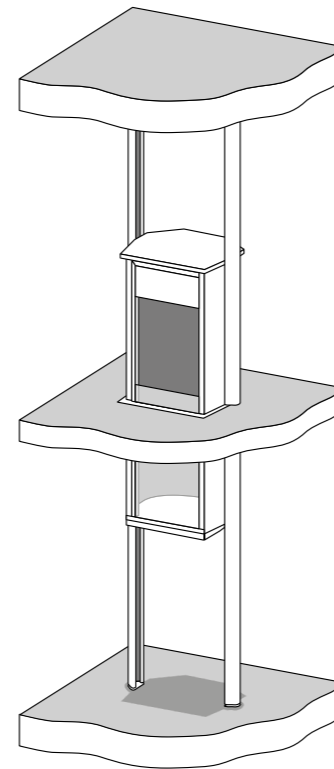
Due to the vertical, self-supporting stilts, positioning a Stiltz Homelift into your home is very flexible. It is free-standing so no load-bearing walls are required, and you don't need to worry about windows or radiators being in the way. It can tuck into the corner of a room, the stairwell void, on a landing or even inside a cupboard!

Space Saving

No visible hoists and no noisy motors. Stiltz Homelift's unique technology means the lift runs using discreet wire rope hoists and built-in drive equipment which is all neatly concealed within the lift car roof space. Meaning more space in your home for you, your furniture and your décor.

Simple

Stiltz Homelifts plug directly into your domestic power sockets. In the event of a power cut, a battery backup will gently return you to the ground until power is restored. To get you from floor to floor, the lift is operated using the intuitive in-car control panel or through remote controls from outside the lift.



Safety Features



To guarantee safe and comfortable usage at all times, each Stiltz Homelift is equipped with the following safety features as standard:

1. A subtle LED light curtain can detect obstacles and gently bring the lift to a stop if the light is crossed. This feature is available as standard across our entire range of lifts.
2. The lift will only move from stationary when the lift car door is fully closed.
3. Sensors positioned to the top and bottom of the lift will automatically stop the lift car immediately an obstruction is detected.
4. The lift has a built-in braking mechanism for safety and comfort.
5. In the event of power failure, the lift car can be returned to the lower floor thanks to a battery backup located within the drive unit.
6. A built-in load sensor ensures that the maximum weight limit is not exceeded.
7. The lift car door is secured by a strong locking mechanism which is also very easy to open and close.

Duo+ Benefits



Small Footprint

One of the smallest footprints of any homelift on the market – covers just 0.55m² surface area.



Quiet Travel

Powered by a quiet electric self-contained motor – no noisy hydraulics.



Fast Installation

Lifts are made up of modular sections – standard installs take just one day.



Economical to Use

Plugs into a standard domestic power socket – like any other household appliance.



Unique Dual Rail System

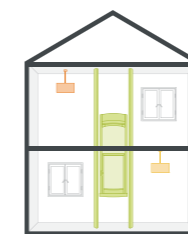
Self-supporting structure – two parallel and vertical guides bear the load of the lift.



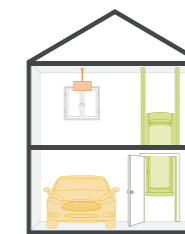
Self-Contained Drive System

Housed at the top of the lift, out of sight – no need for external power packs.

Installation Options



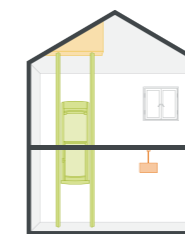
Standard lift



Garage



Stairwell void/landing



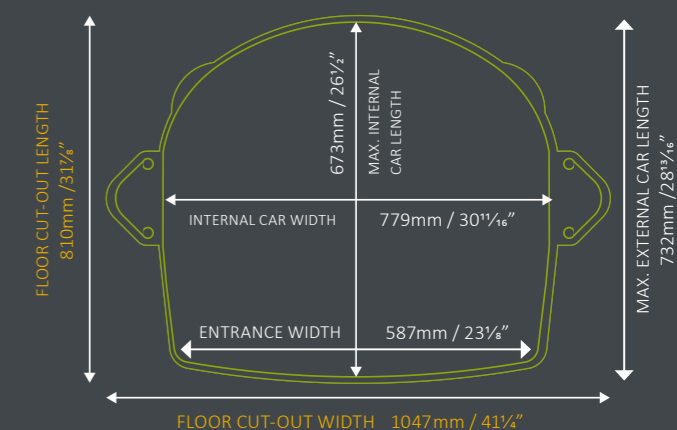
Sloping or vaulted ceilings



Cupboard Installation

Technical Specification

LIFT TYPE	Domestic personal homelift that complies with the Machinery Directive 2006 / 42 / EC. In addition, the EN81 range was built, developed and operated in accordance with BS EN81-41:2010.
STANDARD COLOUR	Grey (RAL 7038)
LOAD CAPACITY	Max. 170kg / 2 people.
ILLUMINATION	Contemporary ambient lighting with high-quality LED strips.
DRIVE	Self contained rope drum, braked gear motor drive. Enclosed within the lift car roof space
ELECTRICITY	220V – 240V, 10A – 20A socket – Plugs into a standard domestic power socket.
CONTROL	Lift is controlled via the control panel and two remote controls. Additional remote controls are available.
ENTRANCE	Single door.
SPEED	Nominal speed: 100mm / sec. Max speed: 150mm / sec.
TRAVEL LIMIT	Two floors. With a maximum of 4500mm of travel.
LIFT CAR DOOR	1100mm hinged half-height door or full-height door options available. LED light curtain will protect the upper half of the car regardless of door height.
DIMENSIONS	1937mm - Max. internal car height 2437mm - Max. external lift height 860mm x 732mm - Max. lift car footprint 779mm x 673mm - Internal car footprint 1047mm x 810mm - Floor cut-out 587mm - Lift entrance width
HEIGHT LIMIT	2200mm - Min. upper floor ceiling height 2400mm - Max. upper floor ceiling height, for maximum car height.
FOOTPRINT	0.55m ²



Please note that all dimensions in this document are for guidance only and should not be relied upon for construction purposes.

Your approved Stiltz Trade Partner

Stiltz Ltd.

Building E, Prime Point
Dandy Bank Road
Pensnett Estate
Kingswinford
West Midlands
DY6 7TD

T: **0330 222 0334**

E: **enquiries@stiltz.co.uk**

W: **www.stiltz.co.uk**

StiltzTM
Homelifts

